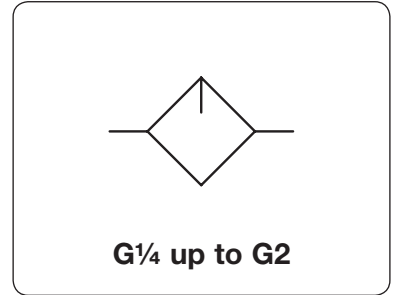


<b>Description</b>	Compressed air lubricator of solid design and small size. Proven in operation and suitable for many applications. Available in all standard sizes and in many versions.
<b>Bowl</b>	plastic version with or without bowl guard, up to G $\frac{1}{2}$ metal version with or without sight glass
<b>Operating pressure</b>	max. 11 bar for plastic bowl max. 17 bar for metal bowl with sight glass max. 21 bar for metal bowl without sight glass
<b>Temperature range</b>	0 °C to 50 °C / 32 °F to 122 °F for plastic bowl 0 °C to 70 °C / 32 °F to 158 °F for metal bowl with sight glass 0 °C to 80 °C / 32 °F to 176 °F for metal bowl without sight glass for appropriately conditioned compressed air down to -30 °C / -22 °F
<b>Material</b>	Body: zinc die-cast Bowl: polyurethane, zinc die-cast or steel Elastomer: NBR/Buna-N



Dimensions			Bowl	Flow	Operating	Connection	Order
A	B	C	Design	rate	pressure	thread	number
mm	mm	mm	made of/with	m $^3$ /h*1	l/min*1	max. bar	G

## Standard lubricator

## L606

63	185	129	plastic	0.15	72	1200	11	G $\frac{1}{4}$	<b>L606-02A</b>
63	179	123	plastic / bowl guard	0.15			11		<b>L606-02B</b>
63	185	129	metal / sight glass	0.15			17		<b>L606-02W</b>
63	185	129	plastic	0.15	120	2000	11	G $\frac{3}{8}$	<b>L606-03A</b>
63	179	123	plastic / bowl guard	0.15			11		<b>L606-03B</b>
63	185	129	metal / sight glass	0.15			17		<b>L606-03W</b>
83	197	138	plastic	0.25	192	3200	11	G $\frac{1}{2}$	<b>L606-04A</b>
83	197	138	plastic / bowl guard	0.25			11		<b>L606-04B</b>
83	202	143	metal / sight glass	0.25			17		<b>L606-04W</b>
83	297	238	steel	0.50			21		<b>L606-04E</b>
83	297	238	steel / sight glass	0.50			17		<b>L606-04F</b>
83	297	238	steel / sight glass	2.00			17		<b>L606-04G</b>
103	251	184	metal / sight glass	0.50	492	8200	17	G $\frac{3}{4}$	<b>L606-06W</b>
103	340	273	steel	1.00			21		<b>L606-06E</b>
103	340	273	steel / sight glass	1.00			17		<b>L606-06F</b>
103	306	239	steel / sight glass	2.00			17		<b>L606-06G</b>
103	251	184	metal / sight glass	0.50	540	9000	17	G1	<b>L606-08W</b>
103	340	273	steel	1.00			21		<b>L606-08E</b>
103	340	273	steel / sight glass	1.00			17		<b>L606-08F</b>
103	306	239	steel / sight glass	2.00			17		<b>L606-08G</b>



**L606-02A**  
plastic bowl

**L606-02W**  
metal bowl



**L606-08E**  
1 litre bowl

**L606-08G**  
2 litre bowl

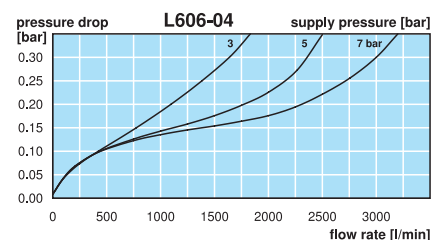
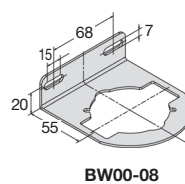
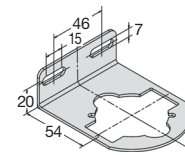
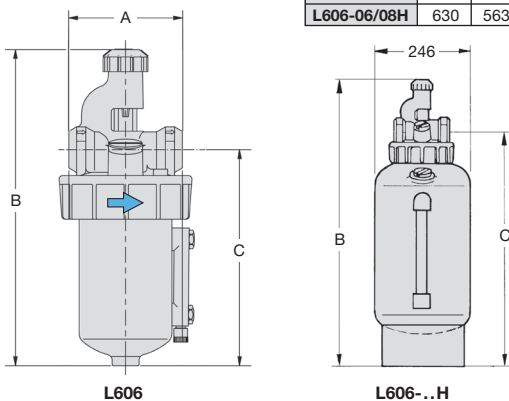
## Special options, add the appropriate letter

<b>NPT</b>	connection thread		L606-...N
<b>15 litre bowl</b>	made of steel, without sight glass	for G $\frac{1}{2}$ to G1	L606-...H
<b>flange connection</b>	see chapter for stainless steel devices / flanges		L606-...F.

## Accessories, enclosed

<b>mounting bracket</b>	made of steel	for G $\frac{1}{4}$ and G $\frac{3}{8}$ for G $\frac{1}{2}$	<b>BW00-07</b> <b>BW00-08</b>
-------------------------	---------------	--	----------------------------------

type	B	C
<b>L606-04H</b>	615	563
<b>L606-06/08H</b>	630	563



\*1 at 7 bar operating pressure and 0.33 bar pressure drop

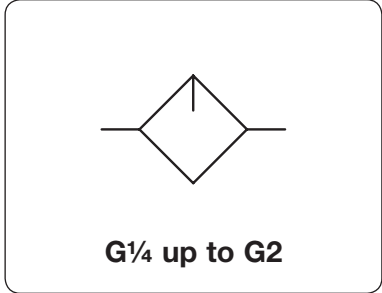
**Extensions:** see chapter for FRL service units  
**Spare parts:** see separate spare parts list

PDF CAD  
www.aircom.net



**Order example:**  
**L606-02A**

<b>Description</b>	Compressed air lubricator of solid design and small size. Proven in operation and suitable for many applications. Available in all standard sizes and in many versions.
<b>Bowl</b>	plastic version with or without bowl guard, up to G $\frac{1}{2}$ metal version with or without sight glass
<b>Operating pressure</b>	max. 11 bar for plastic bowl max. 17 bar for metal bowl with sight glass max. 21 bar for metal bowl without sight glass
<b>Temperature range</b>	0 °C to 50 °C / 32 °F to 122 °F for plastic bowl 0 °C to 70 °C / 32 °F to 158 °F for metal bowl with sight glass 0 °C to 80 °C / 32 °F to 176 °F for metal bowl without sight glass for appropriately conditioned compressed air down to -30 °C / -22 °F
<b>Material</b>	Body: zinc die-cast Bowl: polyurethane, zinc die-cast or steel Elastomer: NBR/Buna-N



Dimensions			Bowl	Flow	Operating	Connection	Order
A	B	C	Design	rate	pressure	thread	number
mm	mm	mm	made of / with	m <sup>3</sup> /h*1	l/min*1	max. bar	G

## Standard lubricator

Standard lubricator							L606		
122	266	194	metal / sight glass	0.50	840	14000	17	G1 $\frac{1}{4}$	<b>L606-10W</b>
122	355	283	steel	1.00			21		<b>L606-10E</b>
122	355	283	steel / sight glass	1.00			17		<b>L606-10F</b>
122	300	228	steel / sight glass	2.00			17		<b>L606-10G</b>
122	650	578	steel	15.00			21		<b>L606-10H</b>
122	266	194	metal / sight glass	0.50	1020	17000	17	G1 $\frac{1}{2}$	<b>L606-12W</b>
122	355	283	steel	1.00			21		<b>L606-12E</b>
122	355	283	steel / sight glass	1.00			17		<b>L606-12F</b>
122	300	228	steel / sight glass	2.00			17		<b>L606-12G</b>
122	650	578	steel	15.00			21		<b>L606-12H</b>
133	385	265	steel / sight glass	1.00	1680	28000	17	G2	<b>L606-16F</b>
134	490	370	steel / sight glass	3.00			17		<b>L606-16K3L</b>



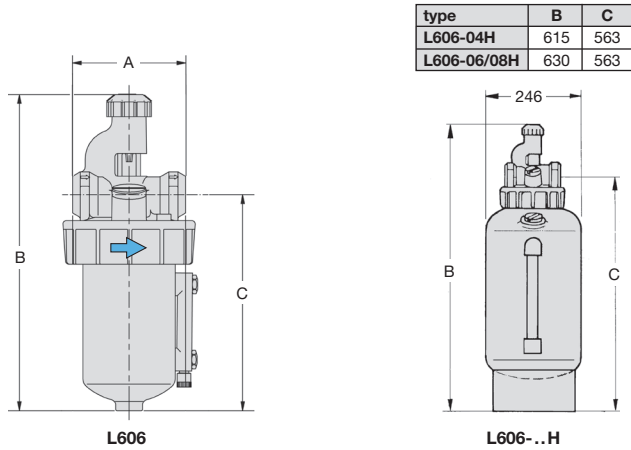
flange connection

## Special options, add the appropriate letter

<b>NPT</b>	connection thread	L606-... N
<b>flange connection</b>	see chapter for stainless steel devices / flanges	L606-... F.

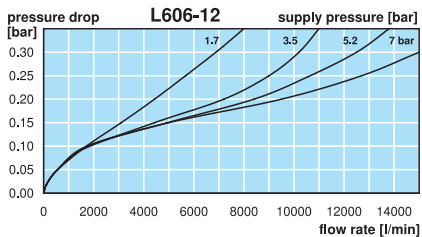


L606-..G, 2 litre bowl



\* at 7 bar operating pressure and 0.33 bar pressure drop

**Extensions:** see chapter for FRL service units  
**Spare parts:** see separate spare parts list



**Order example:**  
L606-10W